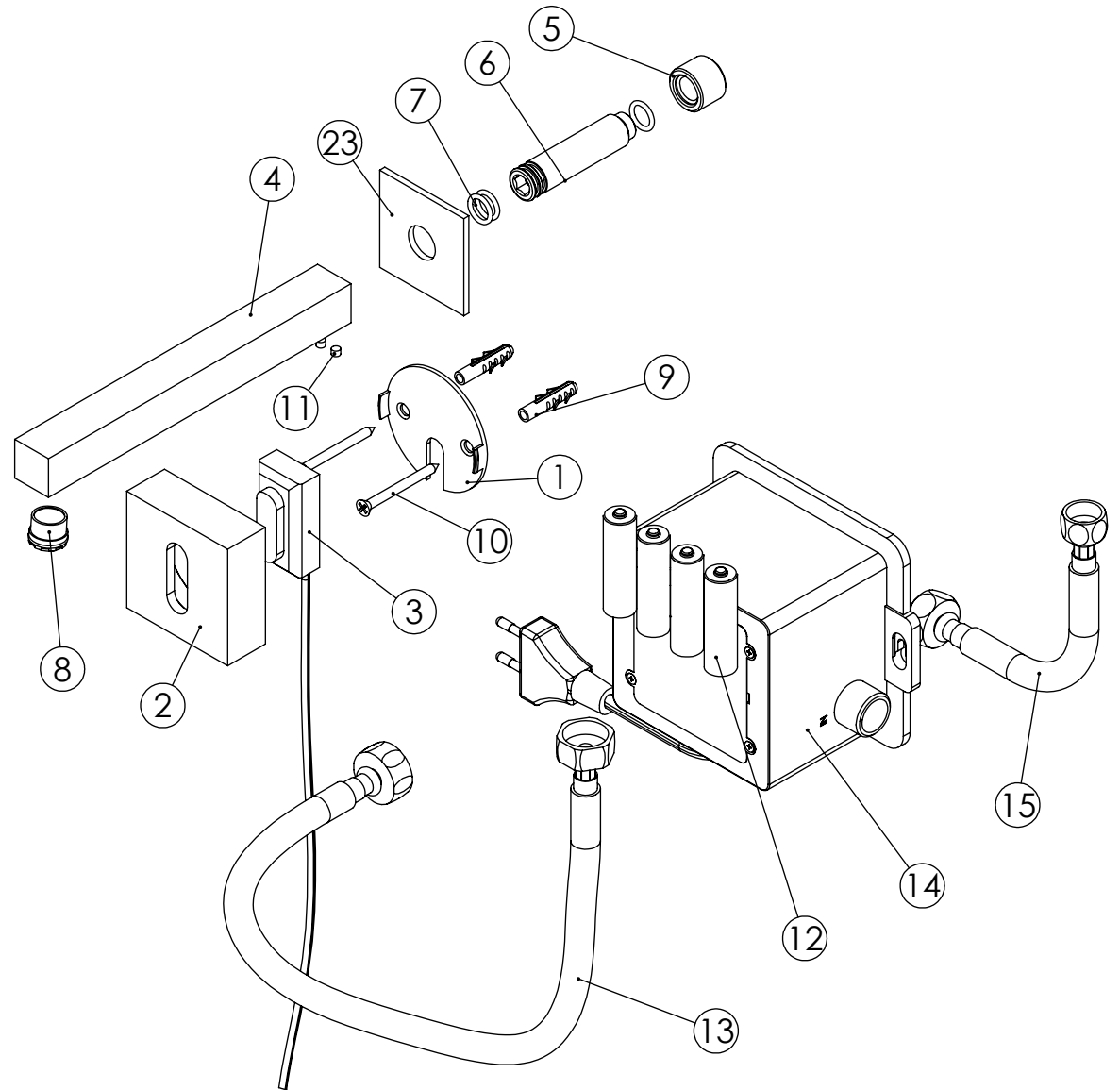


ESC. 1:2	Torneira Lavatório Embutir Célula Quadrada			
Desenhou 29/05/2020	 <b>A S M T A P S</b> <sup>®</sup>			SN011
Rev: 1 24/03/2022	<small>W A T E R S O U L</small>			



ITEM NO.	DESCRIPTION	REF.	QTY.
1	Pater Cilindrico-Quadrado Células Parede	100811	1
2	Espelho Quadrado Célula Parede SN011	100812	1
3	Sensor Célula	AC1020	1
4	Bica Parede Quadrada 190	100015	1
5	Casquilho Ponteira Bica Parede	100200	1
6	Ponteira Bica Parede	100038	1
7	Orings 10.00x2.00 NBR 70	001367	3
8	Perlador 16.5x1	AC850	1
9	Bucha Nylon Standard Nr. 6	BNSTD060	2
10	Parafuso Madeira 4x45	7505A0400350ZN	2
11	Perno Umbrako Din 914 M4-4 Inox A-2	09140400040IN	2
12	Bateria Lithium LR6 1,5V	AC1380	4
13	Ligação 200mm G1-2 G1-2	AC1800	1
14	Válvula+Transformador	AC1030	1
15	Ligação 350mm G1-2 G3-8	AC847	1
23	Páter Bica Parede Quadrado	100149	1

ESC.  
1:3

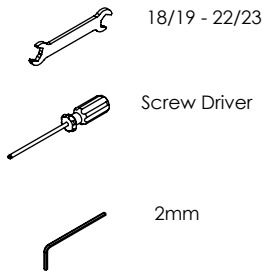
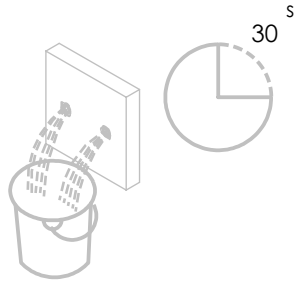
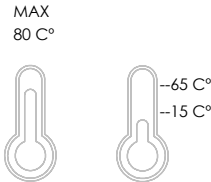
Torneira Lavatório Embutir Célula  
Quadrada

Desenhou  
29/05/2020  
Rev: 1  
24/03/2022

*ASMTAPS*  
WATER SOUL

SN011

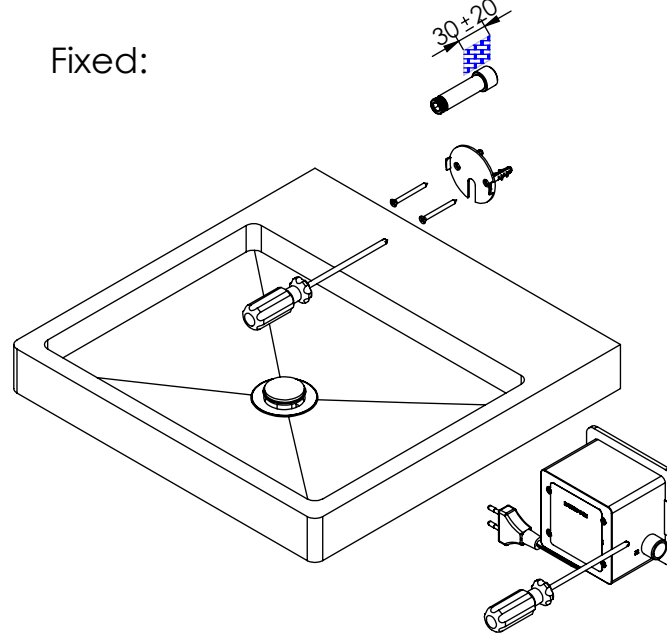
Service:



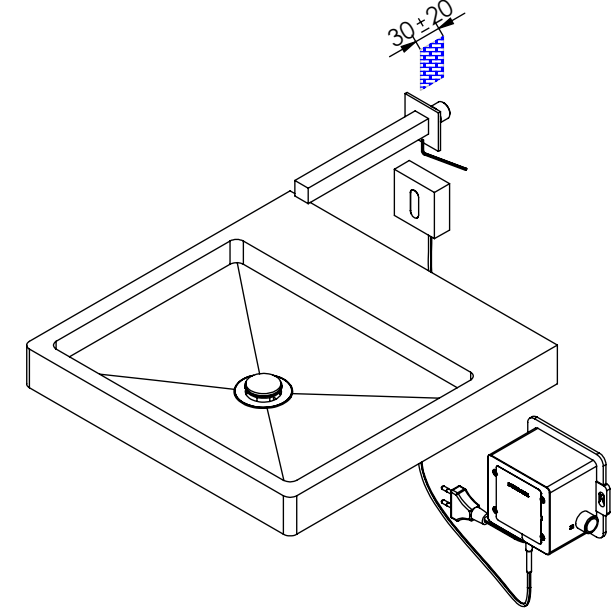
## Washbasin Mixer Installation Manual

2°

Fixed:

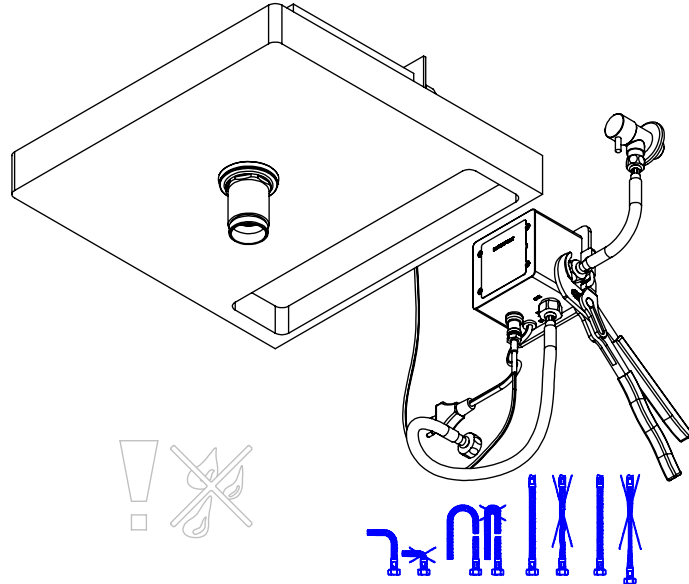


3°



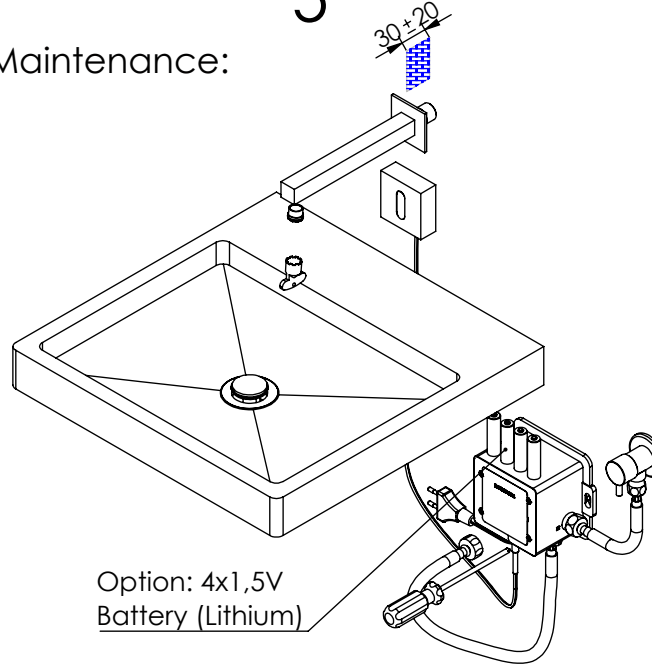
4°

Conection:



5°

Maintenance:



### Technical specifications

Voltage supply	DC6V
Working pressure	1 - 7 bar
Pressure resistance closed (1 min)	35 bar
Life test	500.000 cycles
Max. Hot water	75°C
Flow rate (RhA)	10.8 l/min
Sensor activation time	<1 s
Protection against intrusion (control box)	IP 65
Protection against intrusion (sensor)	IP 67
Sensor detection distance	≤ 35 cm
Power consumption (standby)	< 0,2mW
Power consumption (flushing)	< 3W
Water Saving Function	Auto off adjustable up to 1 min
Thread	G 1/2 - 14
Battery type (included)	4 X AA 1.5V
Sensor detection angle	15 deg (conical)